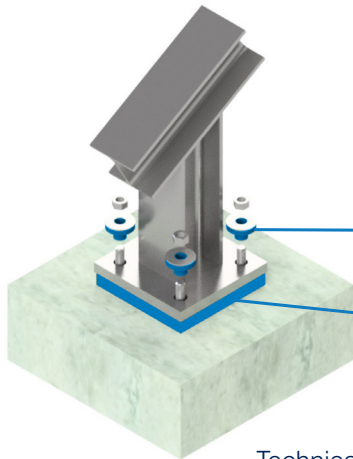


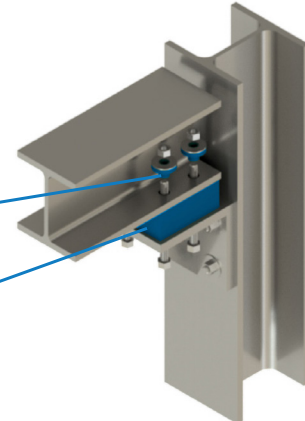
CineSTEEL PRO

Our most frequently specified grade of raked seating isolation suffers no compromises from low mass or high stiffness isolators to achieve the highest ratio of acoustic isolation performance vs. price in the CineSTEEL range.



CineSTEEL PRO
Acoustic Washer

CineSTEEL PRO
Acoustic Isolator



Technical specifications are available on RIBA NBS plus for rapid import.



12 Hz Natural
Frequency



90 mins Fire
Resistance



Up to 10
years warranty

Features:

- ▶ f_n @Operating Load: **12Hz**
- ▶ f_n @Dead Load: **14Hz**
- ▶ Max Pressure: **2.0 N/mm²**
- ▶ Max Live Load: **3 x Dead Load**
- ▶ Isolator Thickness: **25mm**
- ▶ Isolator Type: **Point Load, Bespoke-cut**
- ▶ Warranty: **Up to 10 years**

For over 10 years CineSTEEL **PRO** has been the preferred choice of many of the world's leading multiplex cinema brands thanks to its proven and reliable superior performance. It is based on a seating frame made from hot-rolled structural steel with 100 mm concrete stadia and can be used in both cast in-situ and pre-cast arrangements.

Designed specifically with program conscious contractors in mind, CineSTEEL **PRO** materials are all held in stock for rapid turnaround despite comprising bespoke-cut isolators.

Accreditations:



Quality
Management



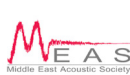
Environmental
Responsibility



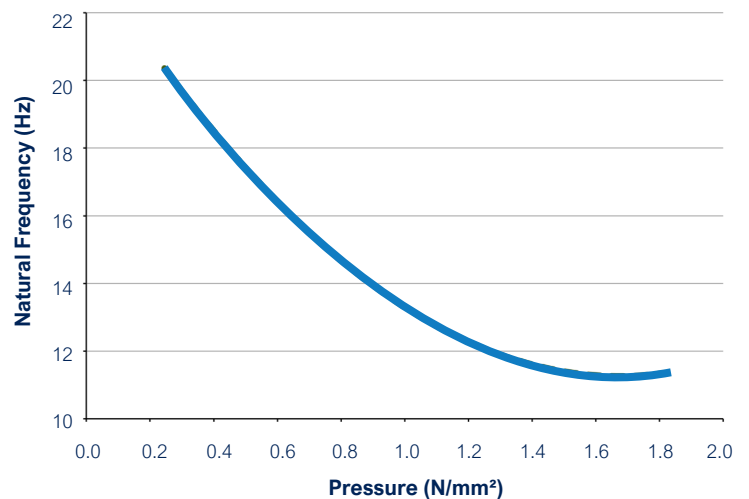
Performance
Testing



Sponsors



Performance:



Test/Assessment Standards:

Test data and standards followed for both static and dynamic material properties are provided within project specific calculations from Farrat.

Please contact us to request a copy of the fire resistance report.

Our acoustic isolators provide complete flexibility in terms of dynamic stiffness and damping. Where necessary we can design bespoke configurations to match your precise needs.

CineSTEEL PRO

The Farrat CineSTEEL range was developed following the successful delivery of more than 200 cinemas all around the world. Our emphasis is on buildability and cost-effectiveness while maintaining the highest standards of performance, delivery, longevity and reliability.



Ordering from Farrat:

CineSTEEL PRO Acoustic Isolators

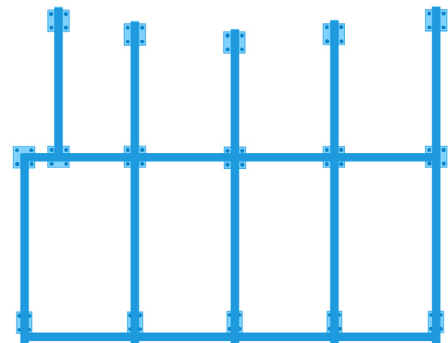
Product Code: CineSTEEL PRO acoustic isolators require bespoke calculation and design.
Measure: Please refer to the main CineSTEEL brochure for information on ordering bespoke designed isolators.

CineSTEEL PRO Acoustic Washer

Product Code: 2CS-P-16/20/24
Measure: Acoustic washers are available for M16, M20 and M24 fixings. Only one side of the fixing requires an acoustic washer (one washer per bolt). All fixings through isolators should incorporate an acoustic washer. Fixings to S.E. Spec (typically $\times 4$ per connection). Hole for acoustic washer = bolt diameter + 7 mm.

Example Layout:

- CineSTEEL PRO Acoustic Isolator
- CineSTEEL PRO Acoustic Washer



CineSTEEL PRO acoustic isolators can be designed to match any baseplate and washer quantity combination (subject to load limits). See the CineSTEEL brochure for further information.



Our CineSTEEL PRO products have a 1-2 week lead time. We hold stock in the **UK**, the **UAE** and **Saudi Arabia**, and regularly export worldwide.



Our team of engineers are always on hand to offer advice relating to specification, detailing and installation. We can deliver this remotely or on-site, **anywhere in the world**.



All of our CineSTEEL acoustic isolation systems are designed with **ease of installation**, durability and follow on trades in mind.



Our CineSTEEL PRO acoustic isolators are manufactured in the UK under an accredited ISO 9001:2015 quality management system. Our **performance test data** is supplied from our in-house laboratory and is regularly checked & referenced with UKAS accredited laboratories.



We regularly supply our CineSTEEL acoustic isolation systems to market leading cinema operators including: **Cineworld, VOX, VUE, Empire, REEL, Odeon** and **UCI**.